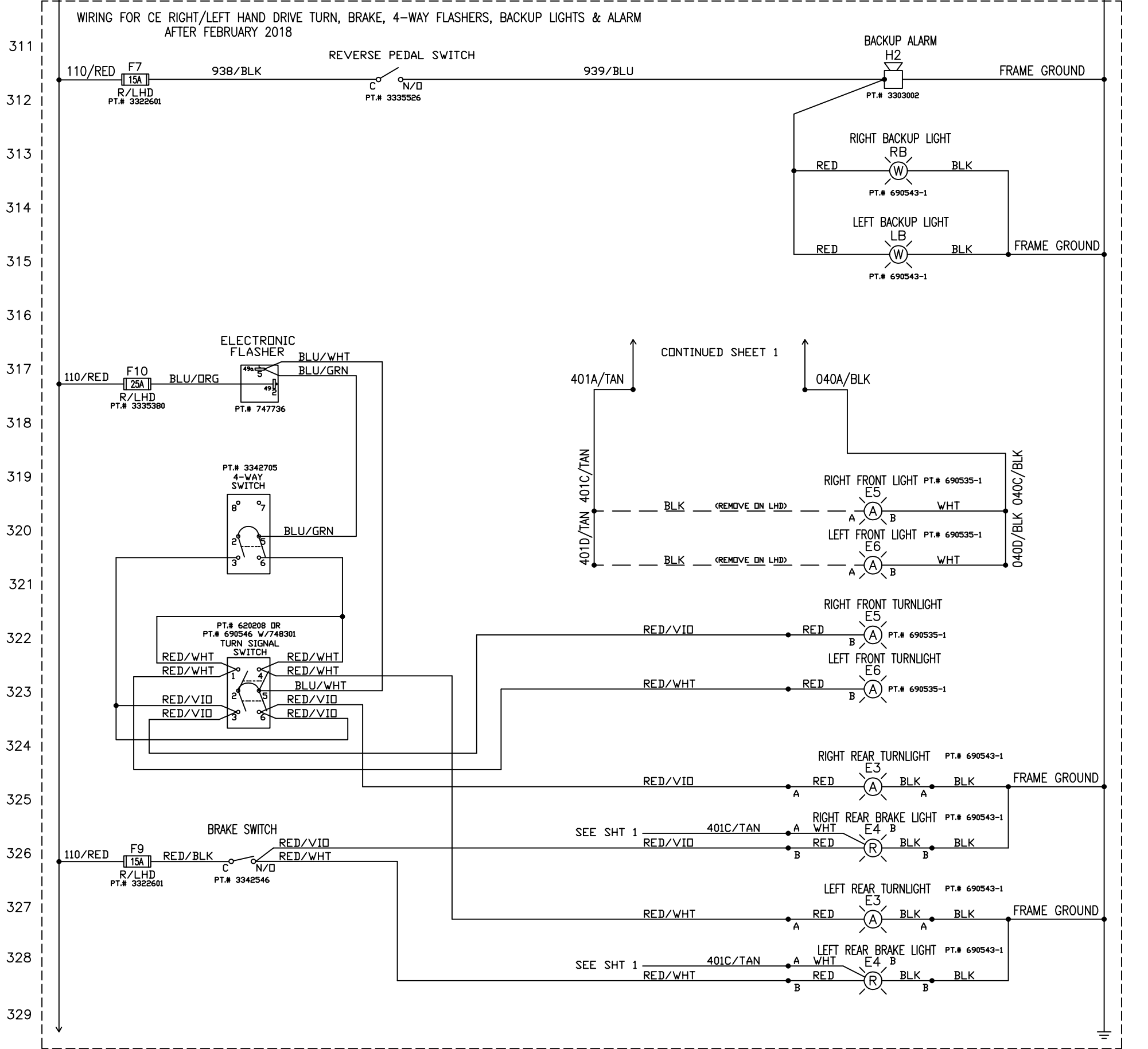


AM9D/9X LED LIGHTING



REV	ECN	DATE	DESCRIPTION	BY
F	150297	06/11/18	ADDED GLOW PLUG LT, MERV, LED LIGHTS & SHT 5	KHH
G	150470	11/13/18	UPDATED MERV, PART #'S	KHH
H	151016	11/08/19	REMOVE ENGINE CONN 1 PIN B WIRE	KHH
J	151310	04/20/20	UPDATE MURPHY SWITCH	KHH

PowerBoss
The Power of Clean

14N845 U.S. ROUTE 20
PINGREE GROVE,
ILLINOIS 60140

ELECTRICAL DESIGN ENGINEER
Jeff Pollack

CAD BY
JWP

CONFIDENTIAL
THIS DRAWING AND ALL INFORMATION CONTAINED HEREIN ARE THE EXCLUSIVE PROPERTY OF MINUTEMAN INTERNATIONAL, INC. THIS DRAWING IS NOT TO BE COPIED OR OTHERWISE REPRODUCED WITHOUT EXPRESSED WRITTEN PERMISSION OF MINUTEMAN INTERNATIONAL, INC. IN ADDITION, THIS DRAWING MUST BE RETURNED UPON REQUEST. FURTHER, ALL INFORMATION CONTAINED HEREIN MUST BE MAINTAINED CONFIDENTIAL.

DATE
5/3/10

TITLE			PART NUMBER	REVISION	PAGE NUMBER
SCHEMATIC-ELECTRICAL AM9D/9X DIESEL CE			3397501	J	4 OF 5